

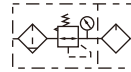
Preparation unit——GA Series

GAFC Series FR.L. combination

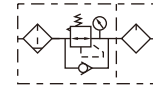


Symbol

No reflux valve is attached



Reflux valve is attached



Product feature

1. Quick and reliable mounting clamps makes it convenient to install and use.
2. The performance of pressure adjustment is reliable with high precision.
3. The efficiency of eliminating moisture and solid grain is high.
4. Two drain types are available: manual drain+semi-auto drain and automatic drain.
5. Three bowl materials are available: PC, Metal and Nylon.

Specification

Model	GAFC200-06	GAFC200-08	GAFC300-08	GAFC300-10	GAFC300-15	GAFC400-10	GAFC400-15	GAFC500-20	GAFC600-20	GAFC600-25	
Fluid	Air										
Port size [Note1]	1/8"	1/4"	1/4"	3/8"	1/2"	3/8"	1/2"	3/4"	3/4"	1"	
Filtering grade	40μm or 5μm										
Pressure range	0.15~0.9MPa(20~130psi)										
Max. pressure	1.0MPa(145psi)										
Proof pressure	1.5MPa(215psi)										
Temperature range	-5~70°C(Unfreeze)										
Capacity of drain bowl	25CC		60CC			100CC		108CC	205CC		
Capacity of oil bowl	36CC		98CC			185CC		225CC	410CC		
Recommended lubricant	ISO VG 32 or equivalent										
Weight	590g		1020g			1810g		1910g	3430g		
Constitute	Filter & Regulator	GAFR200-06	GAFR200-08	GAFR300-08	GAFR300-10	GAFR300-15	GAFR400-10	GAFR400-15	GAFR500-20	GAFR600-20	GAFR600-25
	Lubricator	GAL200-06	GAL200-08	GAL300-08	GAL300-10	GAL300-15	GAL400-10	GAL400-15	GAL500-20	GAL600-20	GAL600-25

[Note1] PT thread, G thread and NPT thread are available.

Ordering code

GAFC300 □ 10 □ S □ W G K

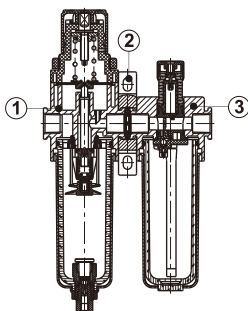


① Model	② Bowl material	③ Port size	④ Drain type	⑤ Type code	⑥ Pressure gauge	⑦ Filtering grade	⑧ Thread type	⑨ Code of reflux valve
GAFC200:GA200 Series FR.L unit	Blank : PC bowl C: Metal bowl N: Nylon bowl	06: 1/8" 08: 1/4"	Blank: Semi-auto drain +Manual drain A: Automatic drain	S: Standard L: Lower pressure [Note1] S: Standard	Blank: Circular N: No gauge [Note2]	Blank: 40μm W: 5μm	Blank: PT (MPa/psi) G: G (bar/MPa) T: NPT (psi/bar)	Blank: No reverse flow valve is attached K: Reverse flow valve is attached [Note2]
GAFC300:GA300 Series FR.L unit		08: 1/4" 10: 3/8" 15: 1/2"						
GAFC400:GA400 Series FR.L unit		10: 3/8" 15: 1/2"						
GAFC500:GA500 Series FR.L unit		20: 3/4"						
GAFC600:GA600 Series FR.L unit		20: 3/4" 25: 1"						

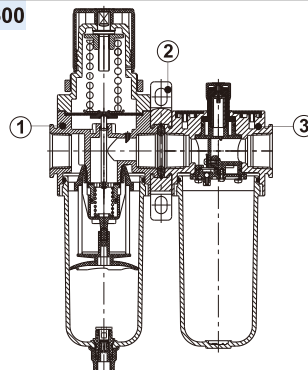
[Note1] The work pressure of lower pressure type is 0.15~0.4MPa(20~58psi) ; [Note2] Please refer to page 201 for details of sealing plate Installation and reflux valve.

Inner structure

GAFC200



GAFC600



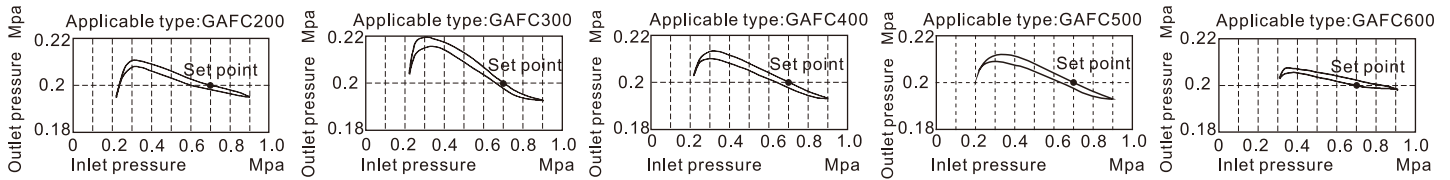
No.	Item
1	GA series filter & regulator
2	Bracket
3	GA series lubricator

Preparation unit—GA Series

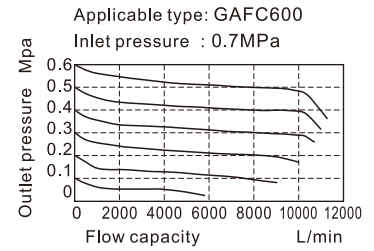
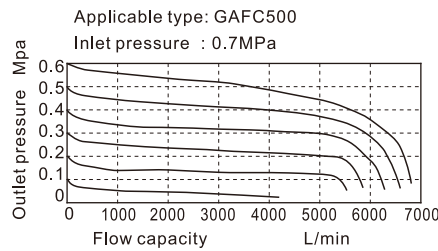
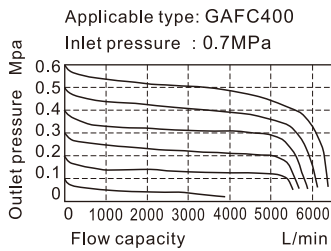
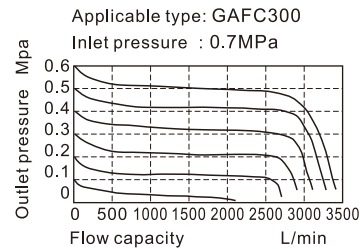
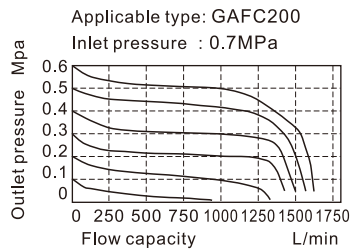


GAFC Series FR.L. combination

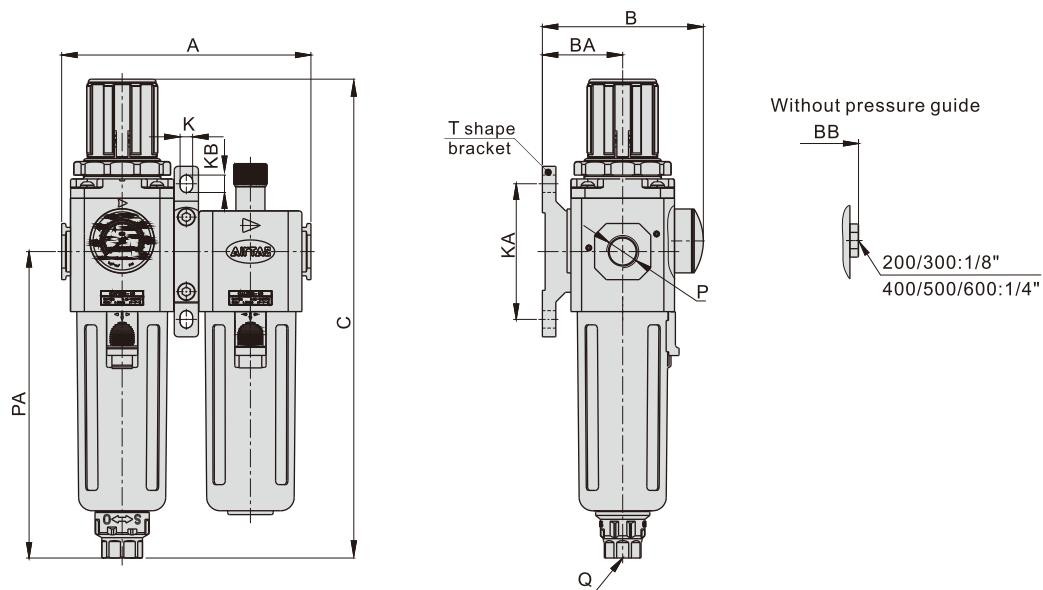
Pressure chart



Flow chart



Dimensions



Model/Item	A	B	BA	BB	C	K	KA	KB	P	PA	Q
GAFC200-06	107.5	69	30	55.5	192.5	5.5	50	8.5	1/8"	120	M5X0.8
GAFC200-08	107.5	69	30	55.5	192.5	5.5	50	8.5	1/4"	120	M5X0.8
GAFC300-08	128.5	83	41.5	71.5	247	6.5	70	9	1/4"	158	G1/4
GAFC300-10	128.5	83	41.5	71.5	247	6.5	70	9	3/8"	158	G1/4
GAFC300-15	128.5	83	41.5	71.5	247	6.5	70	9	1/2"	158	G1/4
GAFC400-10	164	99	50	88	285.5	8.6	80	12	3/8"	177.5	G1/4
GAFC400-15	164	99	50	88	285.5	8.6	80	12	1/2"	177.5	G1/4
GAFC500-20	168	100	50	89	299.5	8.6	80	12	3/4"	191.5	G1/4
GAFC600-20	206	128	70	117	336.5	11	100	16	3/4"	205	G1/4
GAFC600-25	206	128	70	117	336.5	11	100	16	1"	205	G1/4

